

# 4MP 40X Lighthunter Laser IR Network Camera

IPC6854SL-X40WUP-VC



## Key Features



## Optics

- 40X Optical Zoom
- Starlight illumination
- Support Optical defog, Self-adaptive defog
- Day/night functionality
- Accurate and fast focusing
- Vari-focal laser: 650m (2132ft) distance,
- Gyroscope stabilization for stable picture

## Compression

- 4 Megapixel image
- Ultra 265, H.265, H.264, MJPEG
- Triple streams
- Customized OSD

## Network

- ONVIF Conformance

## Structure

- Innovative snow-removing functionality
- Support wiper function
- Intelligent temperature control technology
- Power supply: AC 24V±25%, DC 24V±25%, support PoE++ (IEEE 802.3bt)
- Support 1/1 audio in/out, 7/2 alarm in/out, 1 Serial port RS485
- Support up to 256G Micro SD card
- IP66

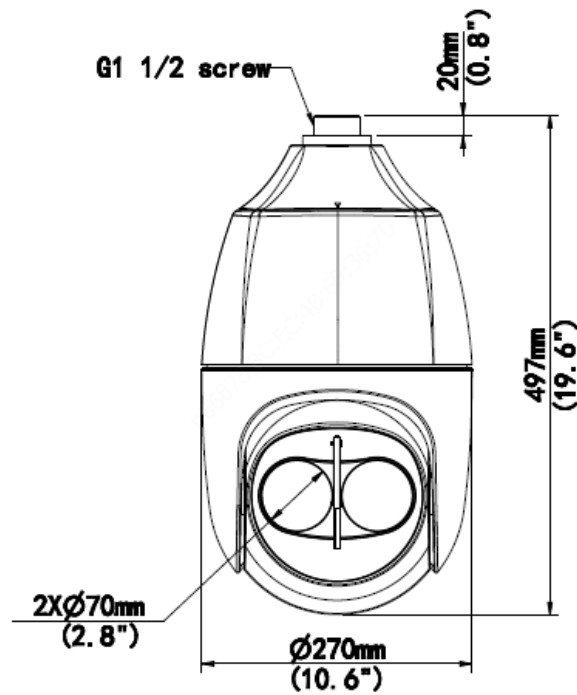
## Specifications

| Camera                  |   |                   |                  |                 |                 |
|-------------------------|---|-------------------|------------------|-----------------|-----------------|
| Sensor                  | 1/1.8", 4.0 megapixel, progressive scan, CMOS                                       |                   |                  |                 |                 |
| Lens                    | 5.7 ~ 228mm, AF automatic focusing and motorized zoom lens                          |                   |                  |                 |                 |
| Digital Zoom            | 16  |                   |                  |                 |                 |
| Optical Zoom            | 40  |                   |                  |                 |                 |
| DORI Distance           | Lens (mm)   | Detect (m)        | Observe (m)      | Recognize (m)   | Identify (m)    |
|                         | 5.7   | 107.2(351.8ft)    | 42.9(140.7ft)    | 21.4(70.4ft)    | 10.7(35.2ft)    |
|                         | 228   | 3330.6(10927.2ft) | 1332.2(4370.9ft) | 666.1(2185.4ft) | 333.1(1092.7ft) |
| Angle of View (H)       | 58.5° ~ 2.1°  |                   |                  |                 |                 |
| Angle of View (V)       | 34.9° ~ 1.2°  |                   |                  |                 |                 |
| Angle of View (O)       | 72.0° ~ 2.5°  |                   |                  |                 |                 |
| Shutter                 | Auto/Manual; shutter time: 1 ~ 1/100000s  |                   |                  |                 |                 |
| Minimum Illumination    | Colour: 0.0005Lux (F1.3, AGC ON)<br>0Lux with IR                                    |                   |                  |                 |                 |
| Iris                    | Auto/Manual; F1.3 ~ F4.6  |                   |                  |                 |                 |
| WDR                     | 120dB   |                   |                  |                 |                 |
| Day/Night               | IR-cut filter with auto switch (ICR)  |                   |                  |                 |                 |
| Digital noise reduction | 2D/3D DNR   |                   |                  |                 |                 |
| S/N                     | >56dB   |                   |                  |                 |                 |
| VF Laser                | 650m(2132ft)  |                   |                  |                 |                 |
| Wiper                   | Support   |                   |                  |                 |                 |
| IR On/Off Control       | Auto/Manual   |                   |                  |                 |                 |
| Defog                   | Optical Defog   |                   |                  |                 |                 |
| Video                   |   |                   |                  |                 |                 |
| Video Compression       | Ultra 265, H.265, H.264, MJPEG  |                   |                  |                 |                 |
| Frame Rate              | Main Stream: 4MP (2688*1520), Max 60fps;<br>Sub Stream: 2MP (1920*1080), Max 60fps; |                   |                  |                 |                 |

|                                    |  |
|------------------------------------|--|
|                                    | Third Stream: D1 (720*576), Max 60fps  |
| Video Bit Rate                     | 128 Kbps~16 Mbps   |
| ROI                                | Up to 8 areas  |
| Video Stream                       | Triple streams   |
| OSD                                | Up to 8 OSDs   |
| Privacy Mask                       | Up to 24 blacks (Up to 8 blacks / 8 mosaics in the same picture)   |
| <b>Image</b>                       |  |
| White Balance                      | Auto/Outdoor/Fine Tune/Sodium Lamp/Locked/Auto2  |
| Digital noise reduction            | 2D/3D DNR  |
| Flip                               | Normal/Flip Vertical/Flip Horizontal/180°/90°Clockwise/90°Anti-clockwise   |
| EIS                                | Support (gyroscope)  |
| HLC                                | Support  |
| BLC                                | Support  |
| <b>Event</b>                       |  |
| Basic Detection                    | Motion detection, Audio detection, Tampering alarm ;   |
| Exception Detection And Statistics | Object left behind, Object removed   |
| Auto Tracking                      | Support  |
| General Function                   | Watermark, IP Address Filtering, Alarm input, Alarm output, Access Policy, ARP Protection, RTSP Authentication, User Authentication  |
| <b>Audio</b>                       |  |
| Audio Compression                  | G.711  |
| Two-way Audio                      | Support  |
| Suppression                        | Support  |
| Sampling Rate                      | 8 kHz  |
| <b>Storage</b>                     |  |
| Edge Storage                       | Micro SD, up to 256GB  |
| Network Storage                    | ANR,NAS(NFS)   |
| <b>Network</b>                     |  |
| Protocols                          | IPv4, IGMP, ICMP, ARP, TCP, UDP, DHCP, PPPoE, RTP, RTSP, RTCP, DNS, DDNS, NTP, FTP, UPnP, HTTP, HTTPS, SMTP, 802.1x, SNMP, QoS, RTMP |
| Compatible Integration             | ONVIF (Profile S, Profile G, Profile T), API   |
| Client                             | EZStation<br>EZView<br>EZLive  |
| Web Browser                        | Plug-in required live view: IE9+, Chrome 41 and below, Firefox 52 and below  |
| <b>Pan &amp; Tilt</b>              |  |
| Pan Range                          | 360° (endless)   |
| Pan Speed                          | 0.1°/s ~ 180°/s  |
|                                    | Preset speed: 300°/s   |
| Tilt Range                         | -15° ~ 90° (auto reverse)  |
| Tilt Speed                         | 0.1°/s ~ 180°/s  |
|                                    | Preset speed: 240°/s   |
| Number of Presets                  | 1024   |
| Patrol                             | Preset patrol, route patrol, recorded patrol   |

|                                 |  |
|---------------------------------|--|
| Home Position                   | Support  |
| <b>Interface</b>                |  |
| Audio I/O                       | Audio cable  |
|                                 | 1 input: impedance 1k $\Omega$ ; amplitude 2V [p-p]                    |
|                                 | 1 output: impedance 600 $\Omega$ ; amplitude 2V [p-p]                  |
| Alarm I/O                       | 7/2  |
| Serial Port                     | 1 RS485  |
| Network                         | 1 RJ45 10M/100M Base-TX Ethernet                                       |
| <b>General</b>                  |  |
| Power                           | AC 24V $\pm$ 25%, DC 24V $\pm$ 25%, PoE++ (IEEE 802.3bt)               |
|                                 | Power consumption: Max 62W   |
| Dimensions ( $\varnothing$ x H) | $\varnothing$ 270 x 497mm ( $\varnothing$ 10.6" x 19.6")               |
| Weight                          | 9.69kg (21.4lb)  |
| Working Environment             | -40°C ~ 70°C (-40°F ~ 158°F), Humidity: $\leq$ 95% RH (non-condensing) |
| Ingress Protection              | IP66   |
| Reset Button                    | Support  |

## Dimensions



## Accessories

TR-UF45-A-IN



TR-SE45-A-IN



TR-SE45-IN



TR-CE45-IN



TR-JB12-IN



TR-WE45-A-IN



TR-WE45-B-IN


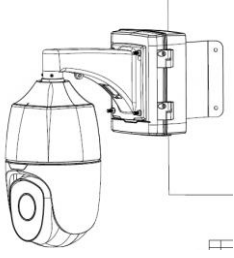
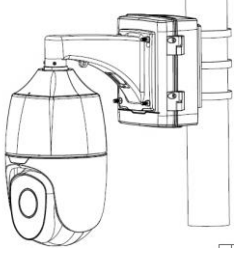


TR-UP08-A/B-IN



TR-UC08-A/B-IN



| Pendent Mount  | Wall Mount   |
|--|--|
| TR-UF45-A-IN + TR-SE45-A-IN/TR-SE45-IN;<br>TR-CE45-IN;                             | TR-WE45-A-IN/TR-WE45-B-IN + TR-JB12-IN + TR-UC08-A/B-IN                            |
|   |  |
| Pole Mount   |  |
| TR-WE45-A-IN/TR-WE45-B-IN + TR-JB12-IN + TR-UP08-A/B-IN                            |  |
|  |  |

**Zhejiang Uniview Technologies Co., Ltd.**

Building No.10, Wanlun Science Park, Jiangling Road 88, Binjiang District, Hangzhou, Zhejiang, China (310051)

 Email: [overseasbusiness@uniview.com](mailto:overseasbusiness@uniview.com); [globalsupport@uniview.com](mailto:globalsupport@uniview.com)
<http://www.uniview.com>

©2021 Zhejiang Uniview Technologies Co., Ltd. All rights reserved.

\*Product specifications and availability are subject to change without notice.